

Garmin®



PROFESSIONAL METAL DETECTOR

MODEL NO: MD1500

PART NO: 4501220



USER INSTRUCTIONS

ORIGINAL INSTRUCTIONS

DL0923 - REV 1

INTRODUCTION

Thank you for purchasing this CLARKE metal detector.

Before attempting to use this product, please read this manual thoroughly and follow the instructions carefully. In doing so you will ensure the safety of yourself and that of others around you, and you can look forward to your purchase giving you long and satisfactory service.

CONTENTS:

- Control Panel,
- Arm Brace,
- Search Coil

SPECIFICATIONS

- Model Number:..... MD1500
- Power Supply:..... 8 x 1.5 Volt AA Batteries
- Operation Modes:..... All Metal & Discrimination
- Sensitivity, Max Depth:..... 200 mm
- Low Battery Indication:..... LED

CODE OF ETHICS

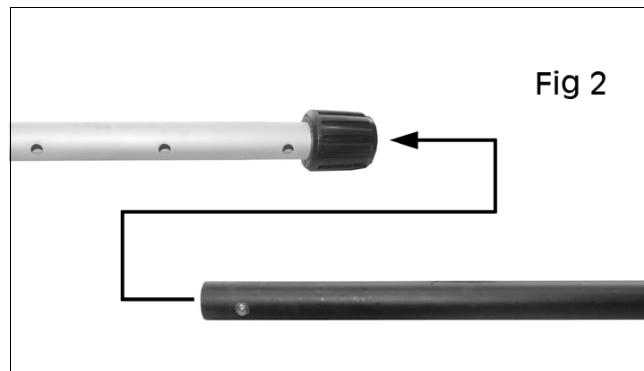
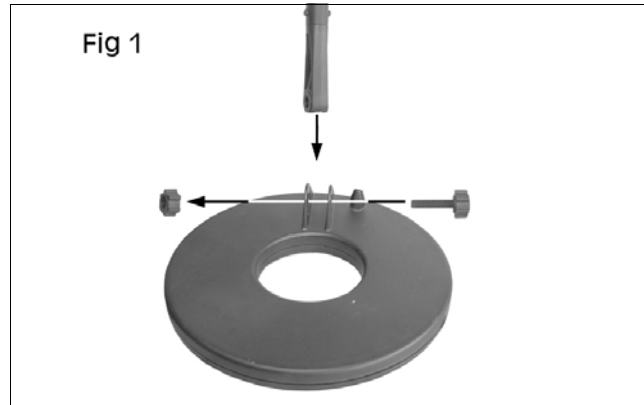
When metal detecting, here are some basic rules that you should follow.

- Always get consent of the landowner before you search any site.
- Respect the rights and property of others and **DO NOT** trespass.
- Observe all national and local laws when you use the metal detector.
- **DO NOT** destroy historical and archaeological treasures or sites.
- Fill any holes that you have made and leave the land as you found it.
- Only use the metal detector where safe to do so.
- Dispose of any rubbish that you find in a safe area, do not leave it for somebody else to find.
- Always follow procedures relating to finds as laid down in the Treasure Act 1996. See page 11 of this manual for information regarding reporting finds.

PREPARATION

ASSEMBLING THE METAL DETECTOR

1. Remove the nut and bolt from the search coil.
2. Position the lower stem between the posts on the search coil and replace the nut and bolt as shown in Fig 1.
3. Adjust the search coil so that it is parallel to the ground and tighten the nut & bolt to lock into position.
4. Insert the lower stem into the upper stem See Fig 2. Press the two spring clips on the side of the lower stem, which will locate into the holes on the upper shaft.
5. Adjust the length of the shaft.
 - When your arm is relaxed and the coil is just above the ground.
6. Wind the search coil lead around the stem and insert the connector into the jack on the control housing as shown in Fig 3.



BATTERIES

- Only use alkaline batteries.
 - **DO NOT** mix old & new batteries.
1. Remove the battery compartment cover from the rear of the control housing.
 2. Insert 8 AA batteries into the battery compartment. Make sure that you follow the polarity symbols inside the compartment.
 3. Replace the battery compartment cover.
 - Used batteries must be disposed of according to local regulations.
 - **DO NOT** burn or bury used batteries.

THE CONTROL PANEL



No	NAME	DESCRIPTION	No	NAME	DESCRIPTION
1	DISC/TONE	This setting is used to make the metal detector reject lower quality targets.	6	SENS	Used to adjust the sensitivity
2	GND BAL	Corrects for the metallic minerals that normally occur in the ground.	7	THRESHOLD	Also used as a power switch. The threshold should be tuned to the point where a faint tone can be heard.
3	VOL	Used to adjust the volume level.	8	LOW BAT	Low battery indicator, replace the batteries when this is lit.
4	TRACE	Used to help pinpoint a target.	9	MODE SELECTOR	Discrimination (DISC) / All Metal (TONE).
5	PHONE	Headphones socket.	10	METER	In ALL METAL mode, the meter will show the signal strength. In DISC mode the meter will show the type of metal being detected

OPERATION

HOW TO TURN THE DETECTOR ON OR OFF

- Rotate the THRESHOLD control clockwise to turn the Metal Detector ON.
- Rotate the THRESHOLD control fully to the left to turn the Metal Detector OFF.

DETECTION MODES

There are 3 ways to detect metal using this metal detector.

ALL METAL

This MODE detects every type of metal and must be used when the material of the required object is not known.

DISCRIMINATION

This mode rejects some types of metal depending on the setting of the DISC/TONE dial.

At setting '0' the detector detects almost all metal. As you increase the setting more objects are rejected. On a high setting only the most conductive metals are found.

NOTE: If the control is set too high, then modern coins are rejected.

TONE

The TONE mode discriminates between different types of metal with high or low pitched tones.

SEARCH HINTS

- You must move the search coil from side to side in an arc approximately 15 cm wide.
- Do not swing the search coil like a pendulum, raising the sides. This will give you false readings.
- Sweep the search coil at a slow even pace.

USING THE METAL DETECTOR

ALL-METAL MODE

1. Set the DISC/TONE dial (1) to the ALL METAL position.
2. Set the SENS dial to the middle position.
3. Hold the search coil 1 metre above the ground.
4. Hold down the TRACE button and rotate the GND BAL to the area marked 'P'. Then release the TRACE button.
5. Hold the search coil 2-5 cm above the ground.

If the pointer swings to the right rotate the GND BAL to the left slightly, If the pointer swings to the left rotate the GND BAL to the right.

Each time you adjust the GND BAL press the TRACE button once.

DISCRIMINATION MODE

1. Set the Mode Selector (9) to the DISC position.
2. Rotate the DISC/TONE dial (1) clockwise away from the ALL METAL position.

At setting '0' the detector will detect nearly all metal. As you increase the setting more objects will be rejected. On a high setting only the most conductive metals will be found.

TONE MODE

1. Set the Mode Selector (9) to the TONE position.
2. Rotate the DISC/TONE dial (1) clockwise away from the ALL METAL position.

At setting '0' the detector will respond to all metals with a high pitched tone. On a high setting only the most conductive objects (such as silver) will respond with a high pitched tone.

SENSITIVITY

SENS adjusts the sensitivity of your metal detector to metal objects.

If you turn this knob fully clockwise, it will be more sensitive to small objects and detect metal deeper down. However, if there are a high concentration of minerals in the ground it may give you false signals.

THRESHOLD (DISCRIMINATION MODE ONLY)

The threshold is the optimum point of tuning on a detector where a faint tone can be heard. By setting the threshold to this point the metal detector will be at its most sensitive.

USING HEADPHONES

1. Insert your headphones into the headphone socket on the control housing. Connecting stereo headphones automatically disconnects the loudspeaker. Headphones give slightly more sensitivity as they reduce external noises which can interfere with your ability to detect objects.



CAUTION: SET THE VOLUME TO THE LOWEST LEVEL BEFORE PUTTING ON THE HEADPHONES. THEN ADJUST THE VOLUME TO A COMFORTABLE LEVEL.

CAUTION: CAUTION: DO NOT WEAR HEADPHONES WHEN OPERATING NEAR ROADS OR TRAFFIC.

TROUBLESHOOTING

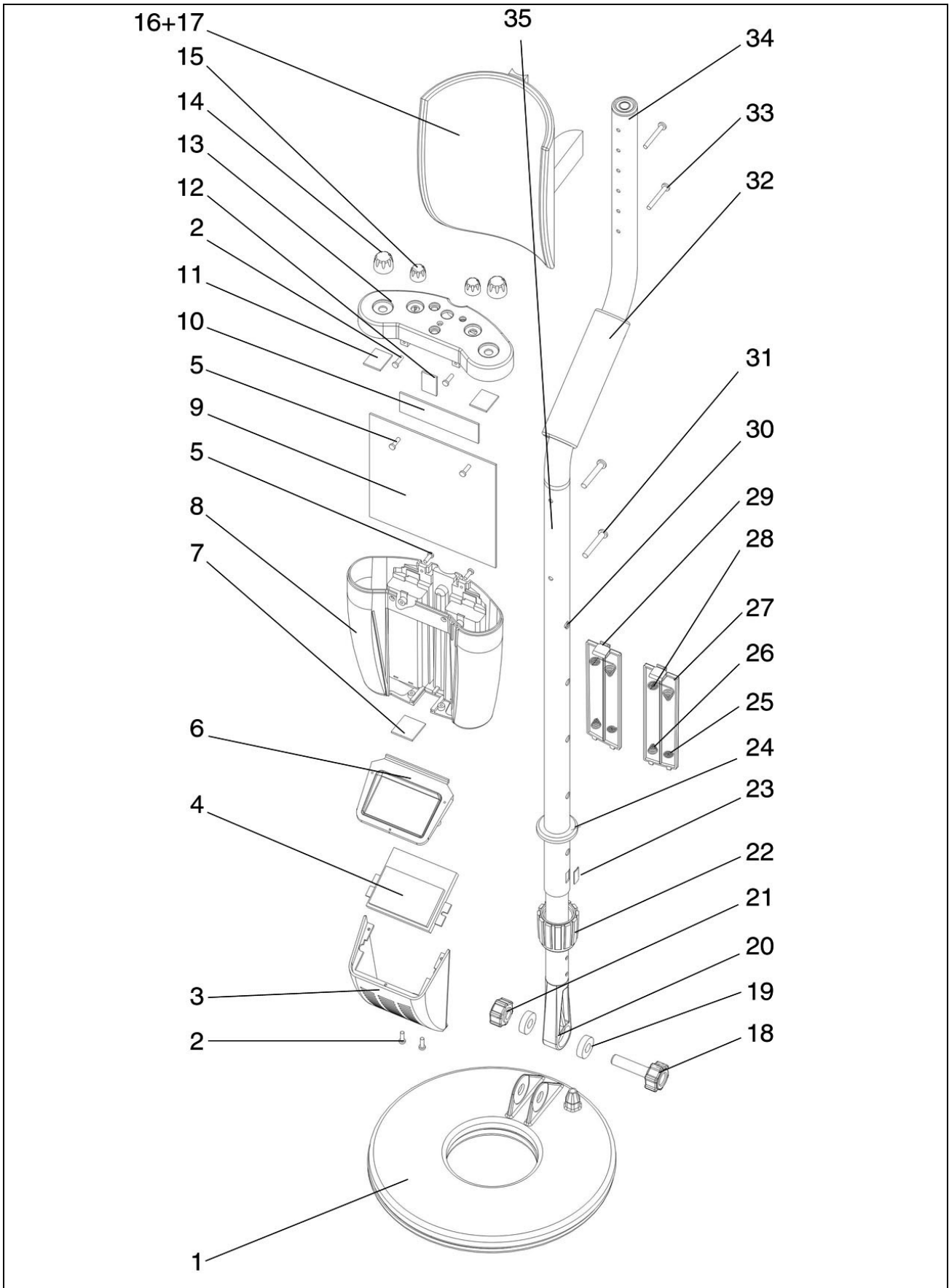
FALSE SIGNALS

- If you are getting false signals from electrical cables, try to lower the sensitivity.
- The metal detector can give a false reading in areas which have a high mineral content. In this case lower both the sensitivity and the threshold and hold the search coil slightly higher than normal.

ENVIRONMENTAL PROTECTION

Do not dispose of this product with general household waste at the end of its life. This product contains valuable raw materials and should be disposed of appropriately at a recognized disposal facility.

EXPLODED PARTS DIAGRAM



PARTS LIST

NO	DESCRIPTION
1	Search Coil
2	Screw ST2.6x6-F
3	Meter Cover Assembly
4	Meter
5	Screw ST2.6x6-F
6	Meter Panel Assembly
7	Printed Circuit Board
8	Housing
9	Printed Circuit Board
10	Printed Circuit Board
11	Printed Circuit Board
12	Printed Circuit Board
13	Printed Circuit Board
14	Control Button
15	Control Button
16	Arm Support
17	Washer
18	Knob Connector

NO	DESCRIPTION
19	Washer
20	End Shaft
21	Knob
22	Lock Nut
23	Slide Board
24	Shaft Cover
25	Spring
26	Spring
27	Spring
28	Battery Cover
29	Battery Cover
30	Spring Clip
31	Screw M4x25
32	Grip Lining
33	Screw M3x25
34	Handle Top
35	Main Arm

GUARANTEE

This product is guaranteed against faulty manufacture for a period of 12 months from the date of purchase. Please keep your receipt which will be required as proof of purchase.

This guarantee is invalid if the product is found to have been abused or tampered with in any way, or not used for the purpose for which it was intended.

Faulty goods should be returned to their place of purchase, no product can be returned to us without prior permission. This guarantee does not effect your statutory rights.

DECLARATION OF CONFORMITY



Hennell Street, Epping, Essex, CM1 6 4LG

DECLARATION OF CONFORMITY

This is an important document and should be retained.

We hereby declare that this product(s) complies with the following legislation:

*The Radio Equipment Regulations 2017
The Restriction of the Use of Certain Hazardous Substances in Electrical and Electronic Equipment Regulations 2012*

The following standards have been applied to the product(s):

EN 301 489-1 V2.2.3, EN 301 489-3 V2.1.1, EN 303 454 V1.1.1, EN 62479:2010, EN 62321-1:2013,
EN 62321-2:2014, EN 62321-3-1:2014, EN 62321-4:2014, EN 62321-4:2014+A1:2017,
EN 62321-5:2014, EN 62321-6:2015, EN 62321-7-1:2015, EN 62321-7-2:2017, EN 62321-8:2017

The technical documentation required to demonstrate that the product(s) meet(s) the requirement(s) of the aforementioned legislation has been compiled and is available for inspection by the relevant enforcement authorities.

The UKCA mark was first applied in: 2023

Product Description: Metal Detector

Model Number(s): MD1500

Serial/Batch Number: Refer to product/packaging label

Date of Issue: 22/08/2023

Signed:

J.A Clarke
Director



Fitzwilliam Hill, Fitzwilliam Place, Dublin 2

DECLARATION OF CONFORMITY

This is an important document and should be retained.

We hereby declare that this product(s) complies with the following legislation:

*2014/53/EU Radio Equipment Directive
2011/65/EU Restriction of Hazardous Substances (RoHS) Directive*

The following standards have been applied to the product(s):

EN 301 489-1 V2.2.3, EN 301 489-3 V2.1.1, EN 303 454 V1.1.1, EN 62479:2010, EN 62321-1:2013,
EN 62321-2:2014, EN 62321-3-1:2014, EN 62321-4:2014, EN 62321-4:2014+A1:2017,
EN 62321-5:2014, EN 62321-6:2015, EN 62321-7-1:2015, EN 62321-7-2:2017, EN 62321-8:2017

The technical documentation required to demonstrate that the product(s) meet(s) the requirement(s) of the aforementioned legislation has been compiled and is available for inspection by the relevant enforcement authorities.

The CE mark was first applied in: 2008

Product Description: Metal Detector

Model Number(s): MD1500

Serial/Batch Number: Refer to product/packaging label

Date of Issue: 22/08/2023

Signed:

J.A Clarke
Director

REPORTING OF TREASURE & HISTORICAL ITEMS

You must report treasure to the local coroner within either:

- 14 days of first finding it.
- 14 days of realising an item might be treasure, even if you've had it for longer.

You only need to report items officially defined as treasure. This definition can be found on the following website.

- www.finds.org.uk/treasure/advice/summary

If the items are not treasure but still of cultural or historical interest you can report them to the following.

Each area of the UK has different rules and schemes, as follows:

ENGLAND

- Portable Antiquities Scheme: www.finds.org.uk

WALES

- Cymru PAS Scheme: www.museum.wales/portable-antiquities-scheme-in-wales/

SCOTLAND

- Treasure Trove Unit: www.treasuretrovescotland.co.uk

NORTHERN IRELAND

- Historic Environment: www.communities-ni.gov.uk/articles/advice-finders-treasure-northern-ireland

For more information see www.gov.uk/treasure#items of culture or historical interest

A SELECTION FROM THE VAST RANGE OF

Clarke®

QUALITY PRODUCTS



AIR COMPRESSORS
From DIY to industrial, Plus air tools, spray guns and accessories.

GENERATORS
Prime duty or emergency standby for business, home and leisure.

POWER WASHERS
Hot and cold, electric and engine driven - we have what you need

WELDERS

Mig, Arc, Tig and Spot.
From DIY to auto/industrial.

METALWORKING
Drills, grinders and saws for DIY and professional use.

WOODWORKING
Saws, sanders, lathes, mortisers and dust extraction.

HYDRAULICS
Cranes, body repair kits, transmission jacks for all types of workshop use.

WATER PUMPS
Submersible, electric and engine driven for DIY, agriculture and industry.

POWERTOOLS
Angle grinders, cordless drill sets, saws and sanders.

STARTERS/CHARGERS
All sizes for car and commercial use.



PARTS & SERVICE: 0208 988 7400

Parts Enquiries
Parts@clarkeinternational.com

Servicing & Technical Enquiries
Service@clarkeinternational.com

SALES: UK 01992 565333 or Export 00 44 (0)1992 565335

Clarke INTERNATIONAL Hemnall Street, Epping, Essex CM16 4LG
www.clarkeinternational.com